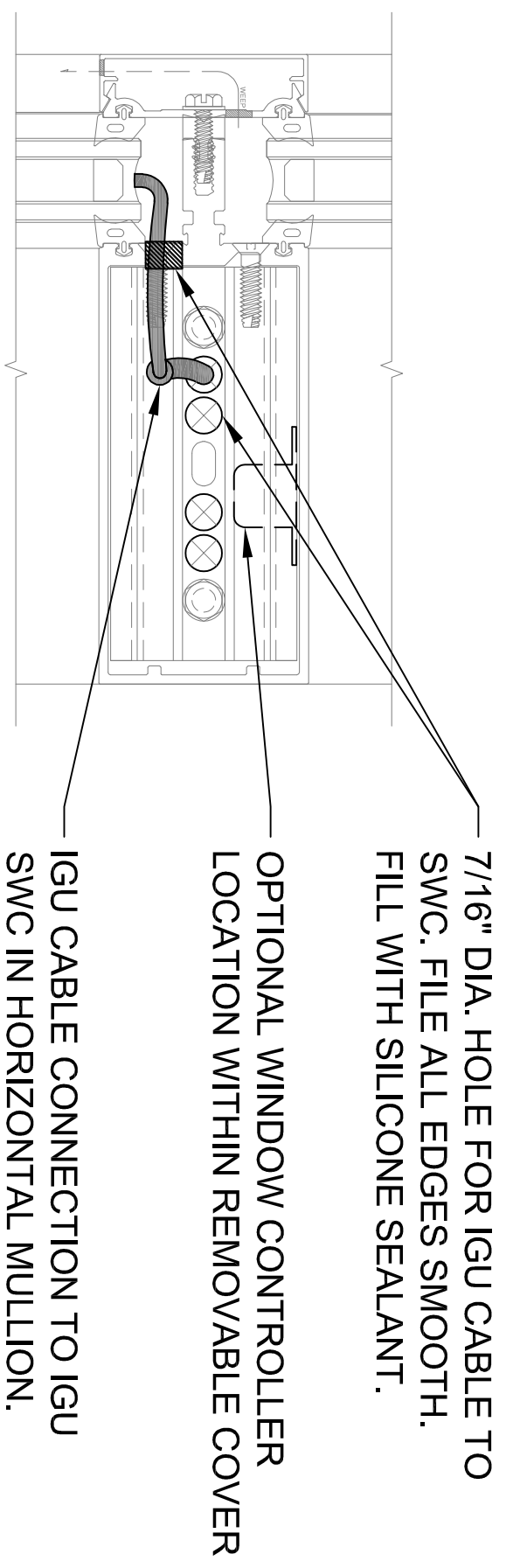
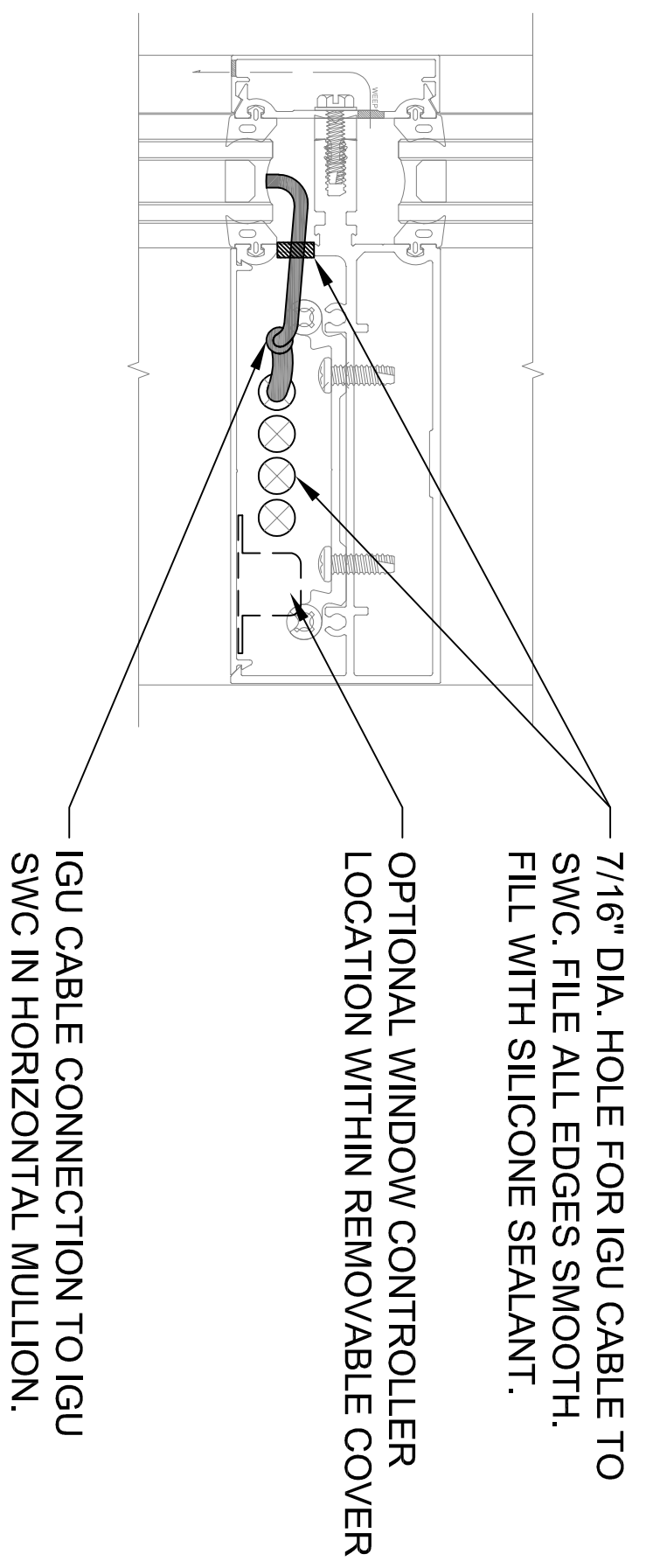


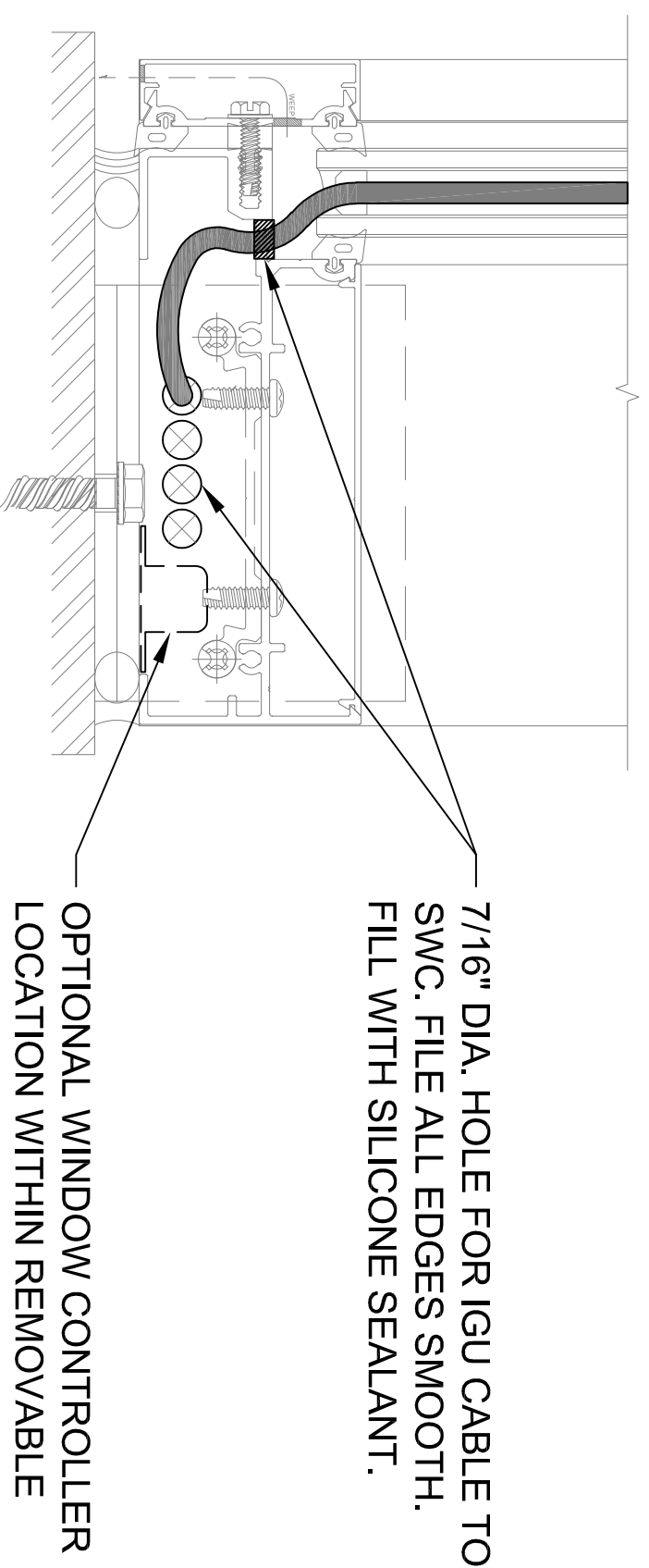
- NOTES:**
1. INSTALLER TO PROVIDE GROMMETS AT ALL FRAME PENETRATIONS WHERE POSSIBLE TO AVOID CABLE DAMAGE.
 2. INSTALLER TO LABEL IGU CABLES WITH IGU NAME TO WHICH IT IS CONNECTED.
 3. WHEN GLAZING POCKET CANNOT ACCOMMODATE IGU CONNECTOR INCORPORATE SERVICE LOOP INTO IGU CABLING. MAKE CONNECTION TO DIGITAL AS YOU ARE GLAZING AND PUSH CONNECTOR THROUGH HOLE AND INTO MULLION.
 4. WHEN ROUTING CABLE TO SILL TAKE NOTE TO AVOID WEEPS AND SETTING BLOCKS.



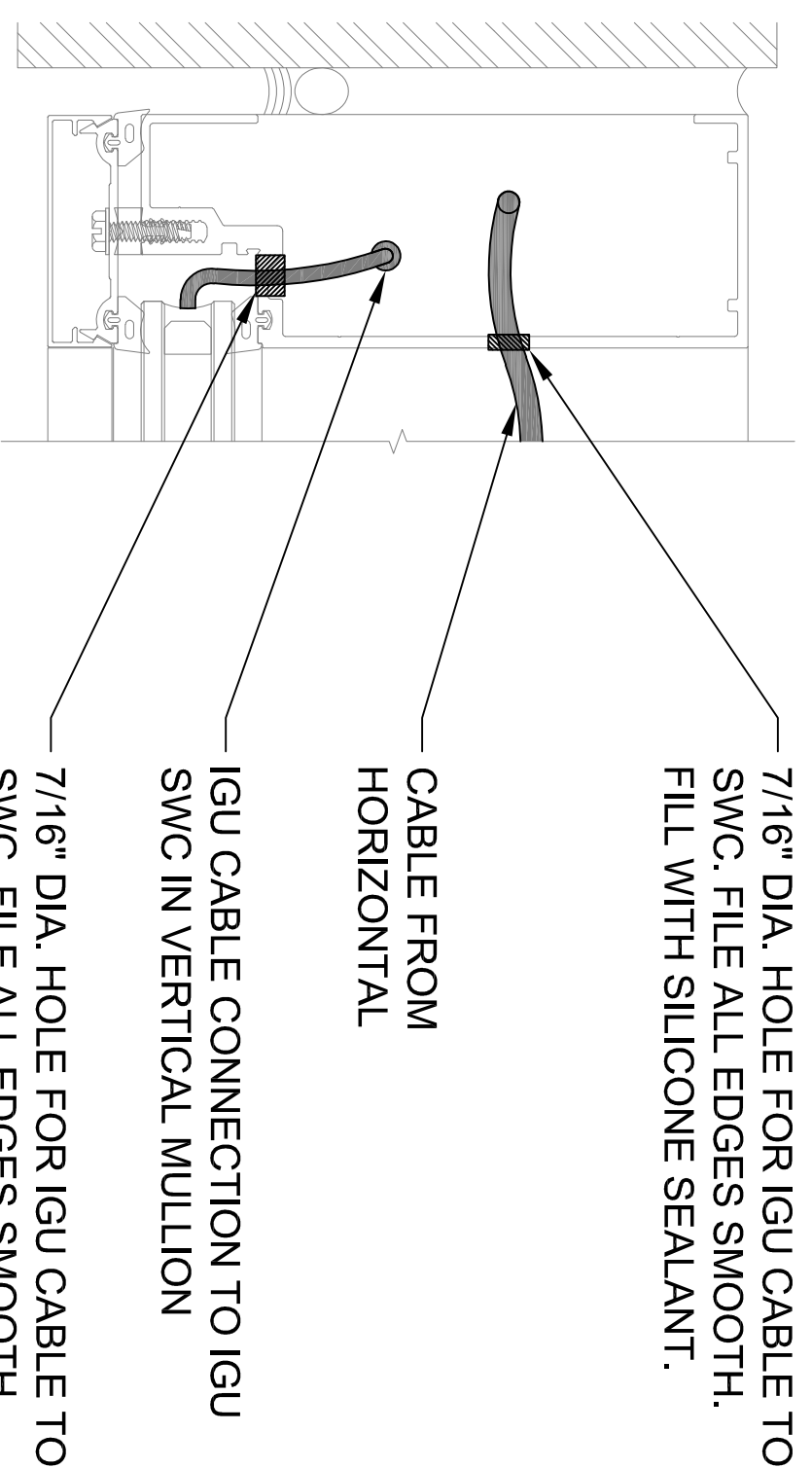
DETAIL 2
HORIZONTAL MULLION



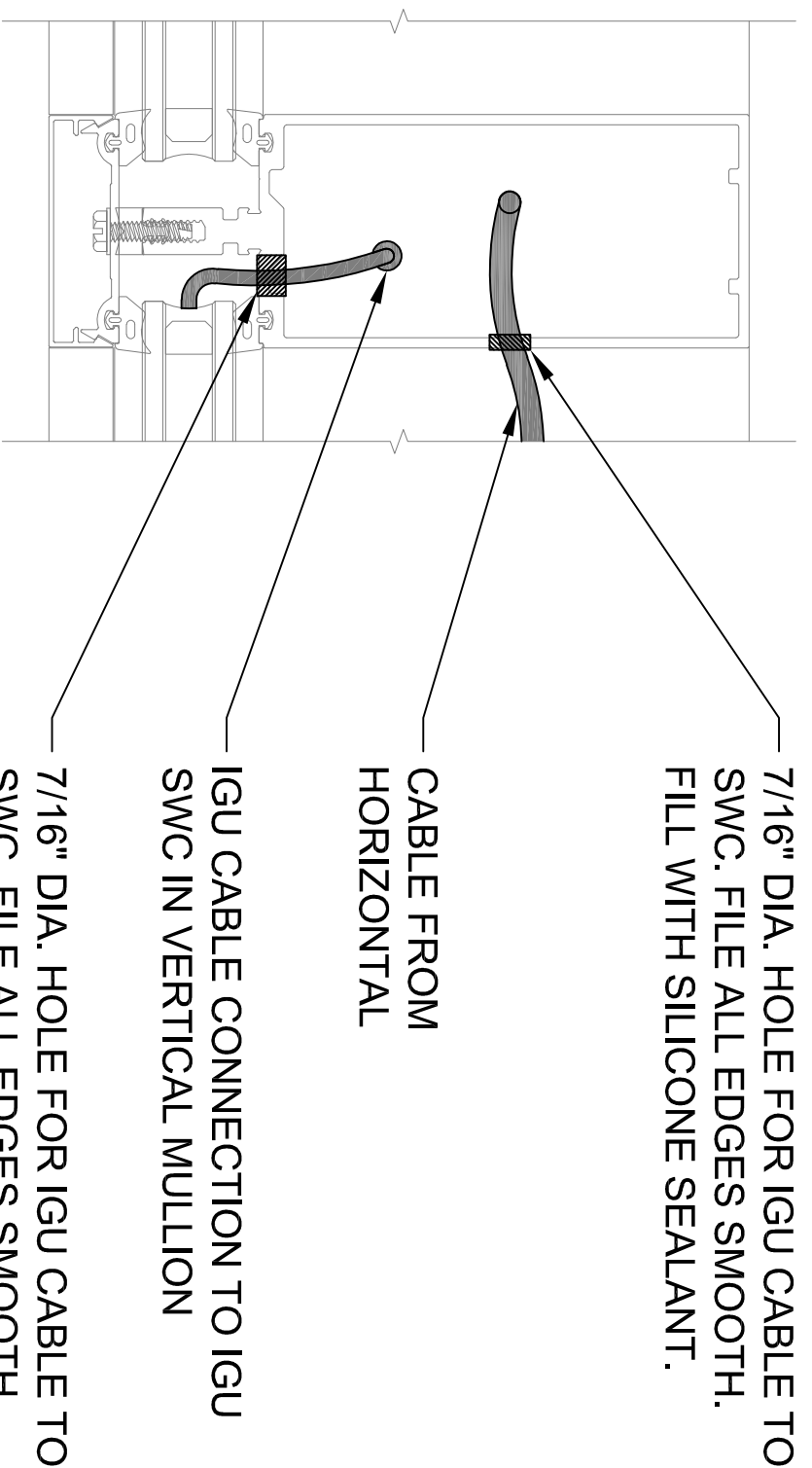
DETAIL 2A
(OPTIONAL) HORIZONTAL MULLION



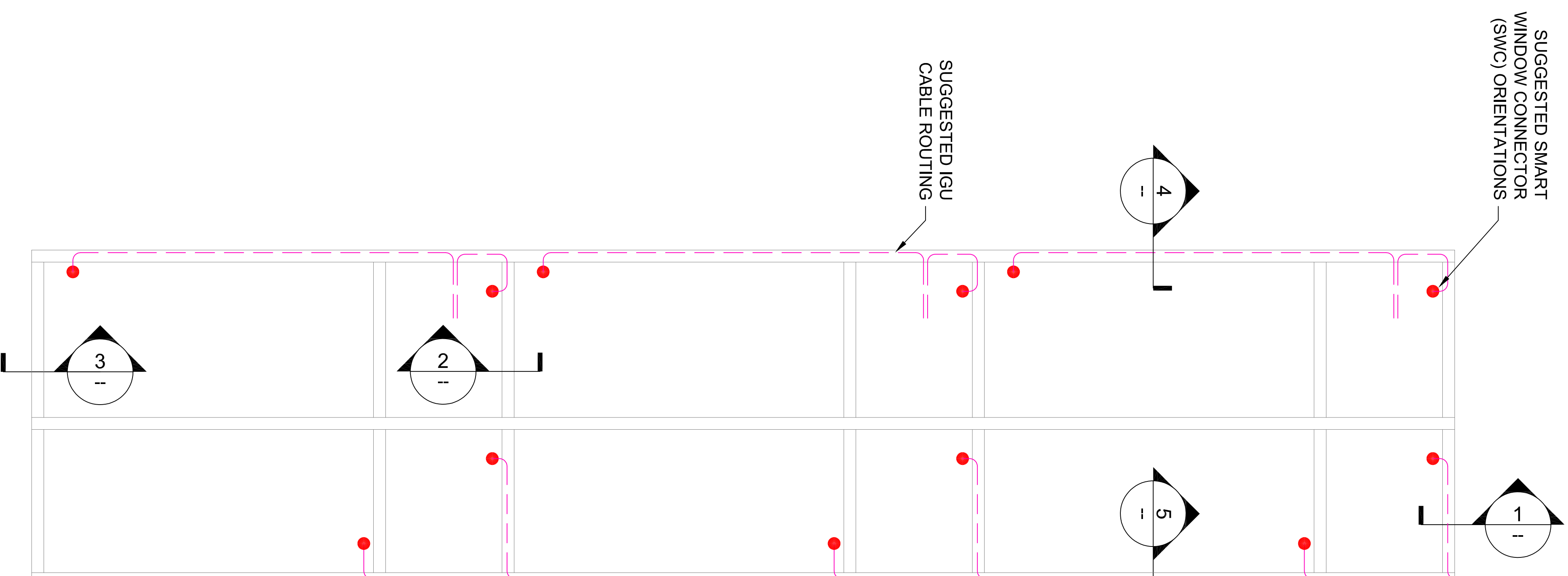
DETAIL 3
SILL



DETAIL 4
LEFT JAMB



DETAIL 5
VERTICAL MULLION



TYPICAL ELEVATION
SCALE: NONE

1 INSTALLATION DETAILS: CURTAINWALL - FOR TRULITE SB750